

Shunt resistor for Helmholtz coils

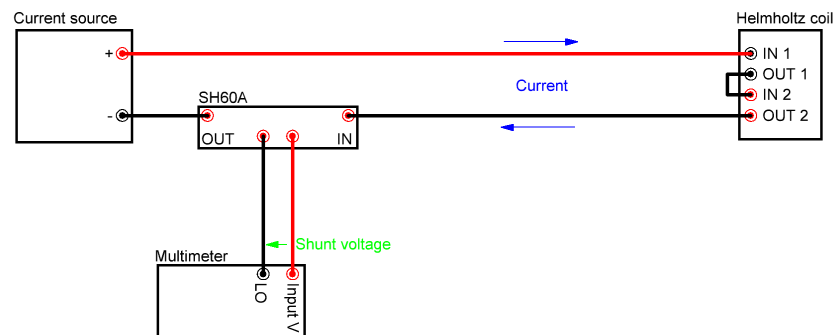
The shunt resistor 60A is designed to be used as a current monitor for Helmholtz coil magnetic field generation systems.



SPECIFICATIONS

Type	SH60A
Measurement factor	0.4 A / mV (2.5 mV / A)
Maximum current	60 A
Measured current connectors (IN / OUT)	2 x 4 mm banana socket or 2 x cable lug M6
Voltage monitoring connectors	2 x 4 mm banana socket
Dimensions (L W X H)	24 x 10 x 6 cm
Weight	600 g

Example of application



Ordering information

REFERENCE	DESCRIPTION
SH60A	Current measurement shunt, I _{max} = 60 A